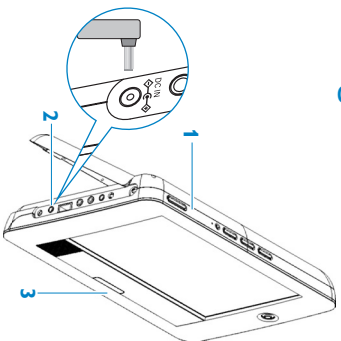


Quick start guide

Register your product and get support at
www.philips.com/welcome

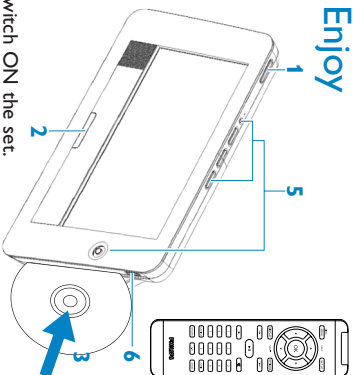
1 Charge



- 1 Switch OFF the set.
- 2 Connect the supplied adaptor to the set and the AC outlet.
- 3 The RED light comes on.
- 4 The battery pack will be fully charged in approximately 4 hours. When the RED light goes off, it means that the battery pack is fully charged.

TIP Your battery will continue to charge while the player is in use. However, the RED light will appear and it will take approximately 8 hours to fully charge the battery pack.

2 Enjoy

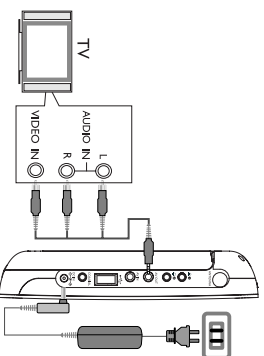


- 1 Switch ON the set.
- 2 The GREEN light comes on.
- 3 Slide the disc into the slot on the right side of the player with the label side of the disc facing the front of the player.
- 4 The set will automatically start to play.
- 5 Use the control keys on the set or the remote control.
- 6 To eject the disc, press **▲** twice.

IMPORTANT Do not load any 8-cm mini DVD discs into the player. The DVD player does not play mini DVD discs. If the disc gets stuck inside the player, press **■** **▲** twice to eject the disc. Try the following steps if the disc remains stuck inside the player:

- 1 Power off and then power on the player. Press **■** **▲** to eject the disc.
- 2 If this does not work, hold the player with the slot facing down, gently shake the player until the disc comes out.

3 Connect to TV



- 1 Connect the set to the TV as shown.
- 2 Please select an appropriate input or source on the TV. You can consult the user's guide of your TV. (If your TV does not have Audio and Video inputs, you will need to purchase a RF modulator. Please consult your dealer for more information.)

PHILIPS